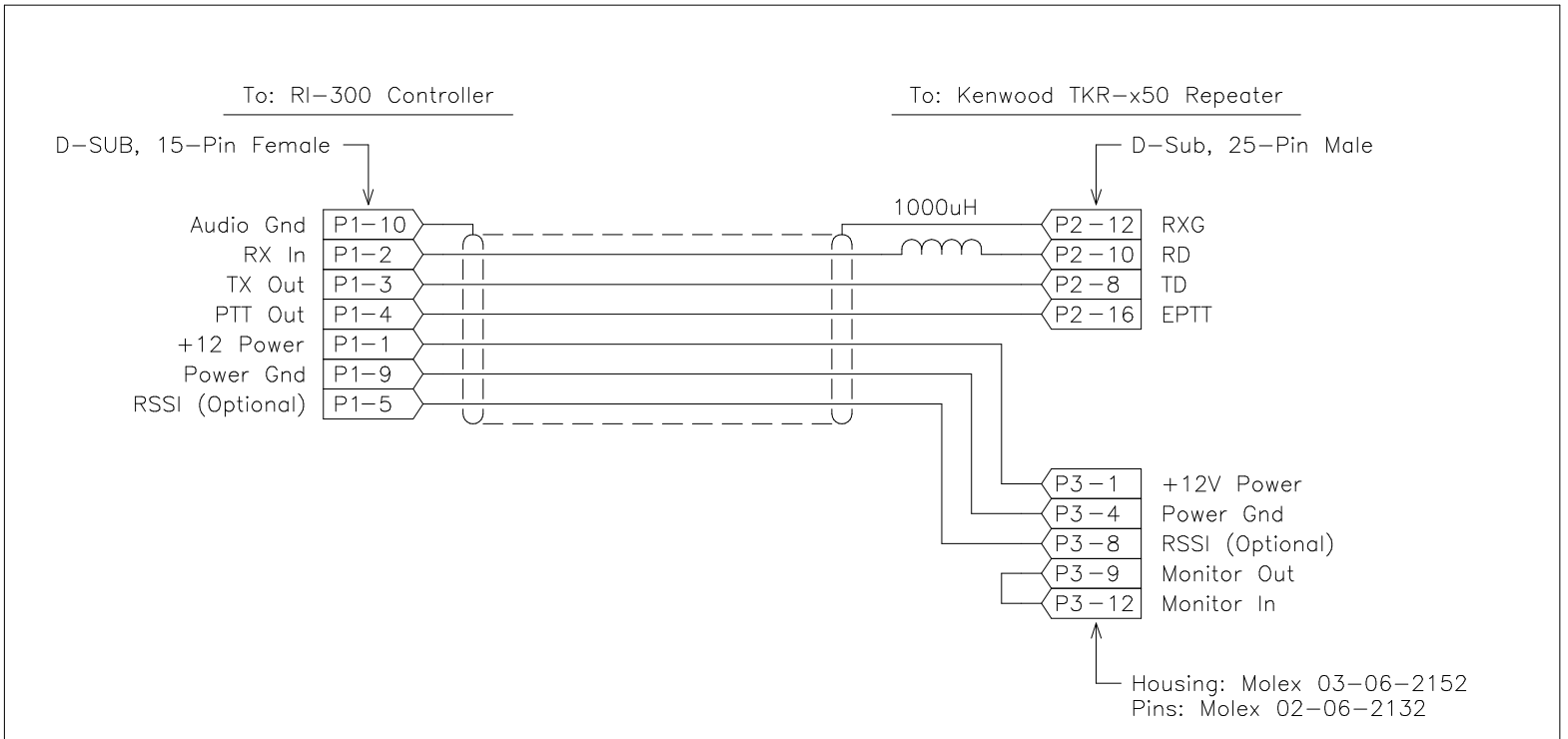


Interface Cable: Kenwood TKR-x50 to Pacific Research RI-300 Controller



Program Setting for Kenwood TKR-x50 Repeater

- 1) Set TX and RX Frequency
- 2) Set QT/DSQ Encode and Decode to "None".
- 3) Set "Repeat" and "CW ID" to "NO".
- 4) In Test Mode, Set TD Level to 130.
- 5) In Test Mode, Set RD Level to 130.

Hardware Setting for Kenwood TKR-x50 Repeater

- 1) Place labels on front panel of repeater [] [Rpt Dis] [TX Dis] [Take Over] [Moni] [Ch Up]
- 2) Remove both TX and RX covers.
- 3) Jumper battery charge circuit in TX section by adding solder to lands.
These lands are located next to the orange wire and K1 relay.
- 4) Tune receiver to Kenwood specifications.

Program Setting for Pacific Research RI-300 Controller

- 1) Set Transmitter Modulation Level (S-Cmd 127) to 7.
- 2) Set Tone Squelch Encode Level (S-Cmd 24045) to 45.