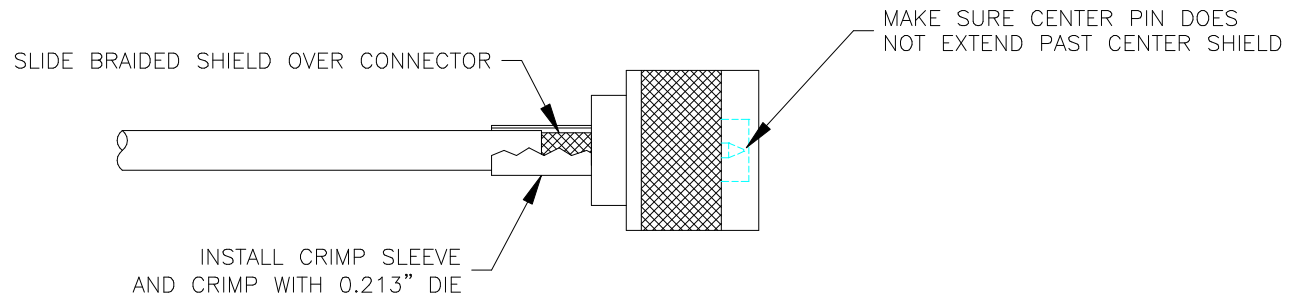
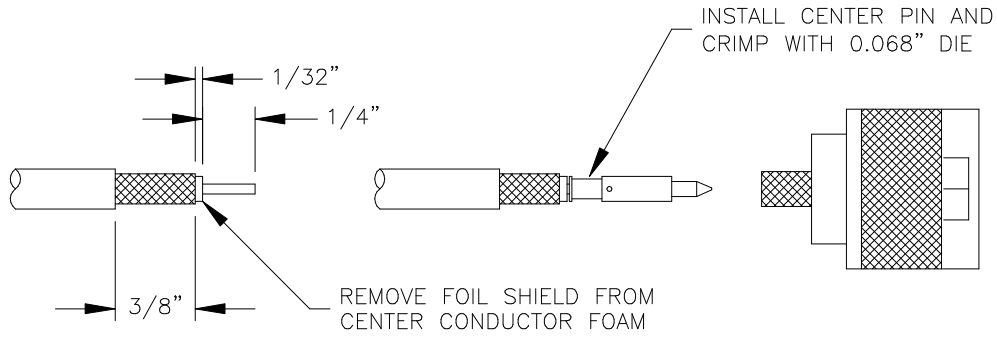
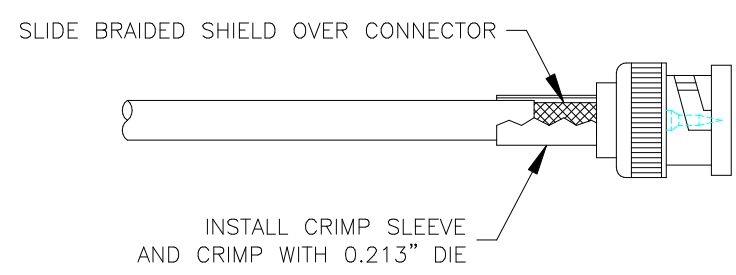
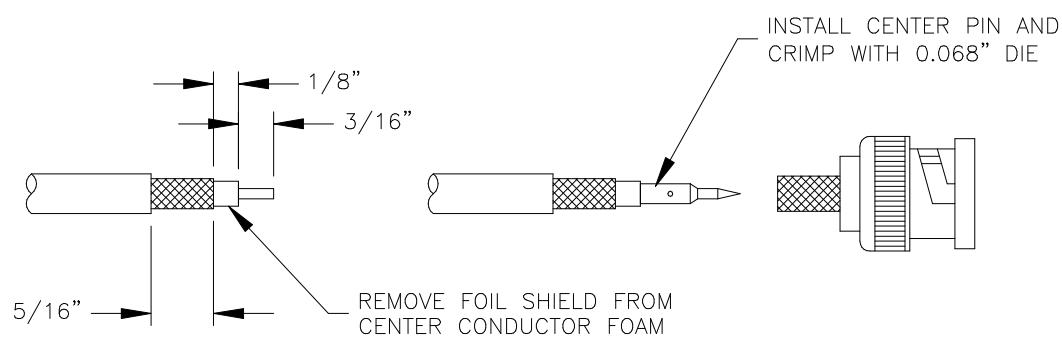


Installing PL259 Connector to Low Loss 900 Coax



Installing Type N Connector to Low Loss 900 Coax



Installing Type BNC Connector to Low Loss 900 Coax